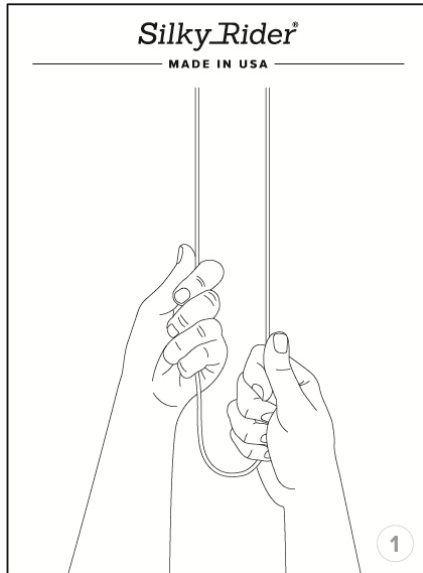
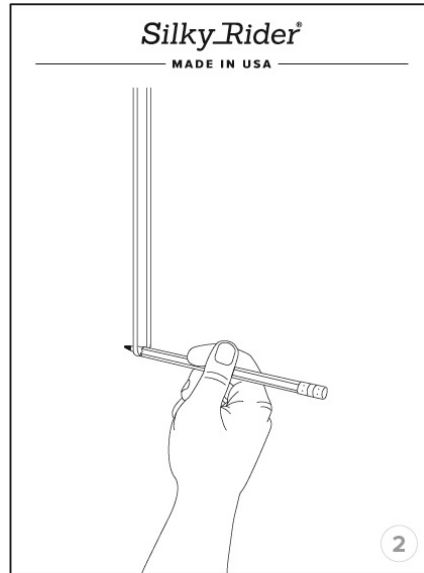


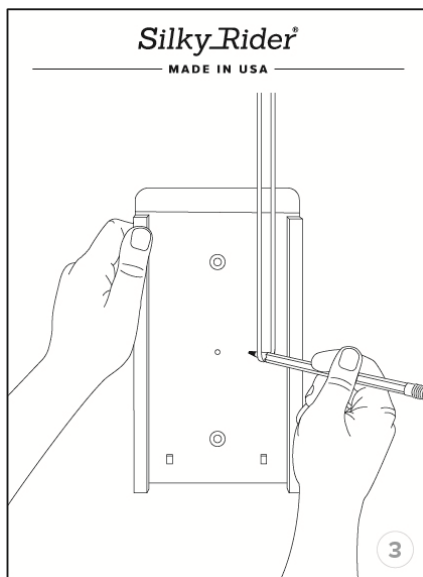
How to Install Silky Rider



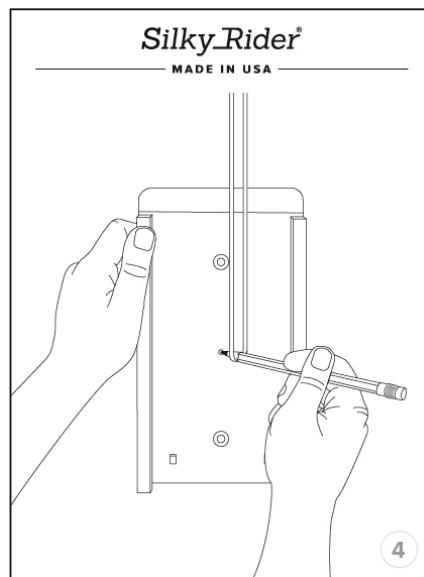
Check to see if the control cord of the curtain is working properly and also in the right place (50 inches height)



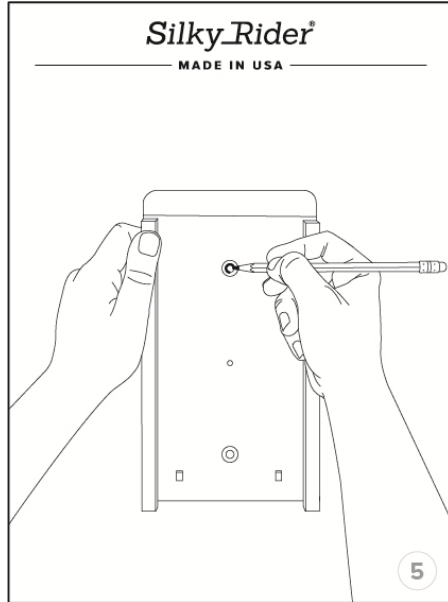
Put a pen into the loop of the cord and pull it downward.



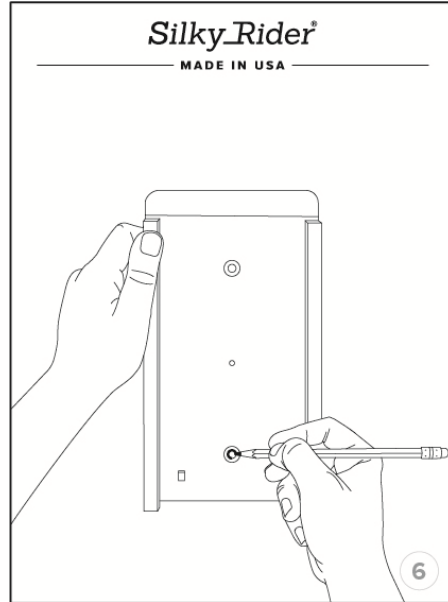
With your other hand get the "Rail" and put it on the wall with face up position where the pen which is into the loop is against it.



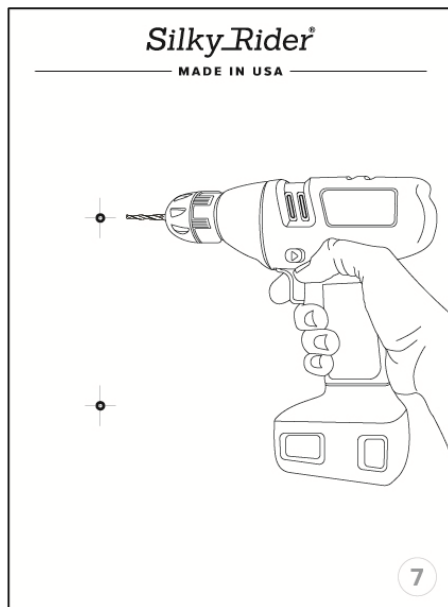
Adjust the "Rail" in a drawer type manner until the Installation Point is covered by the pen head.



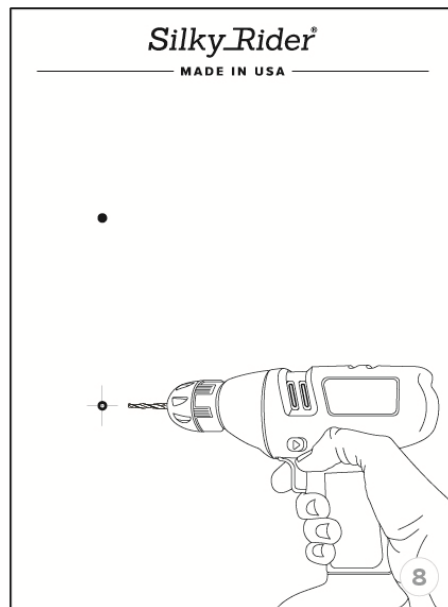
The "Rail" is now on the right place, on the wall right below the cord, map it on the wall.



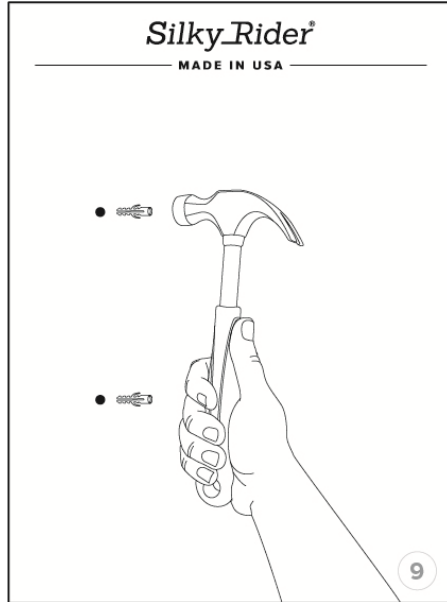
The "Rail" is now on the right place, on the wall right below the cord, map it on the wall.



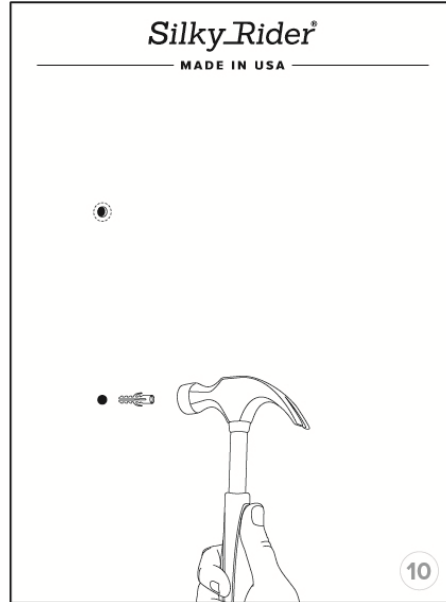
Drill the two marked holes.



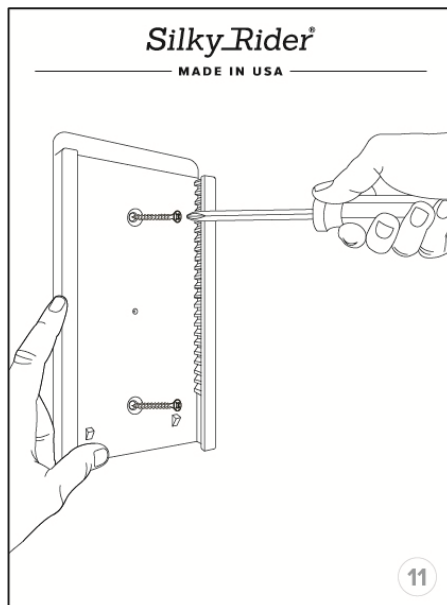
Drill the two marked holes.



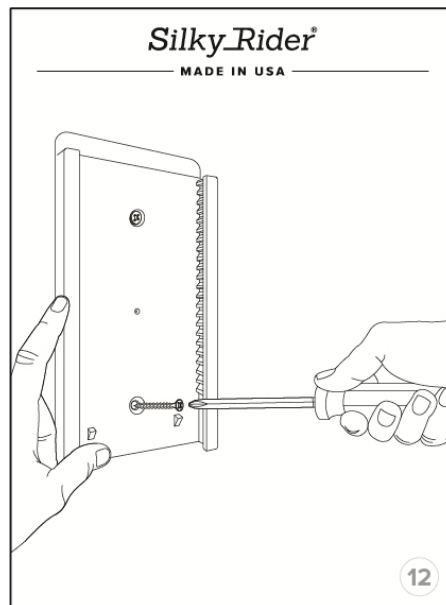
Hammer the two plastic wall plugs into the two holes.



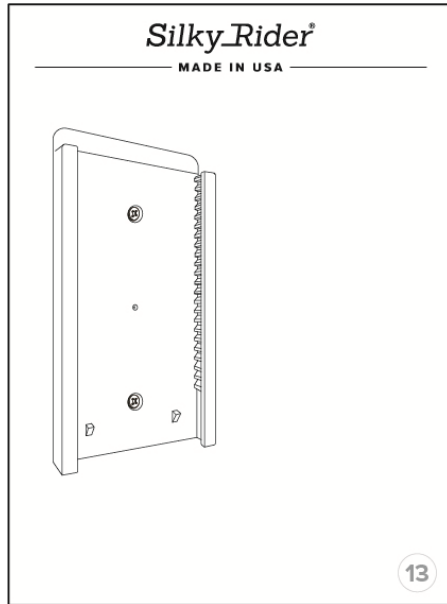
Hammer the two plastic wall plugs into the two holes.



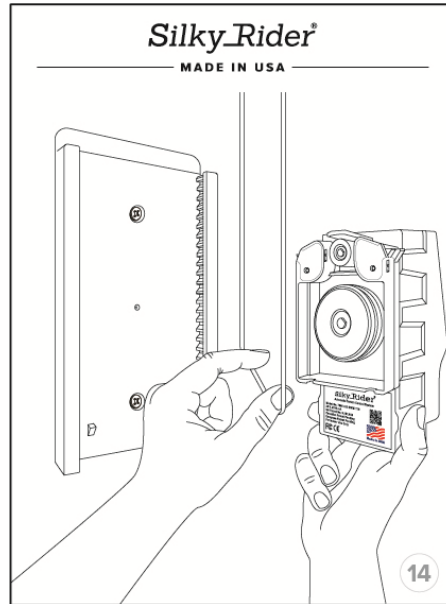
Install the "Rail" using the two screws which have come in the screw pack.



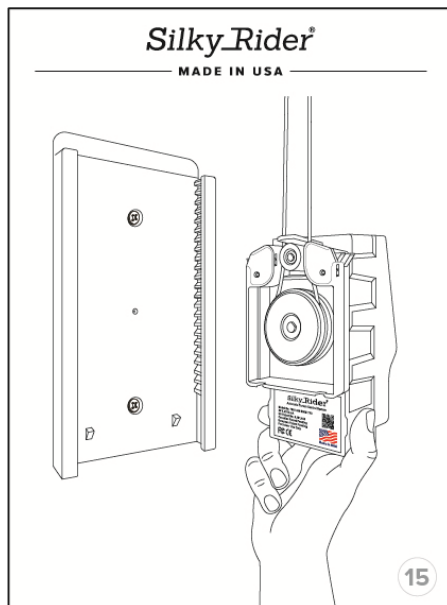
Install the "Rail" using the two screws which have come in the screw pack.



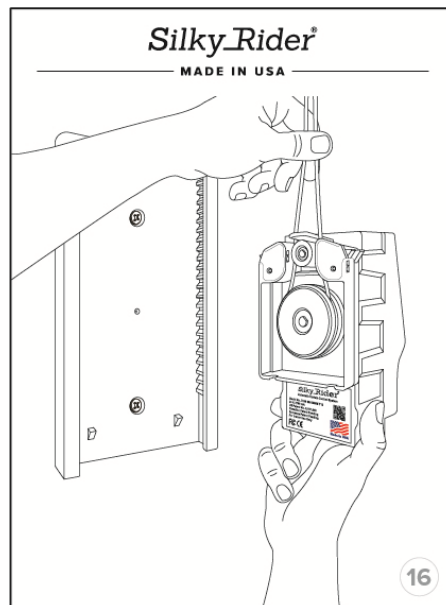
Install the "Rail" using the two screws which have come in the screw pack.



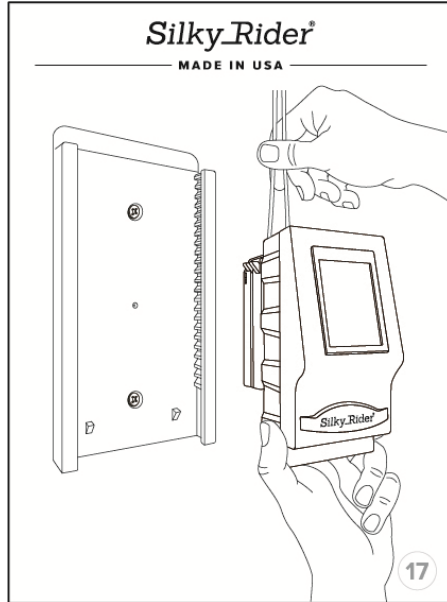
Fix the loop of the curtain cord around the "Big Pulley" which is in the main device and pass the loop through the "Head System"



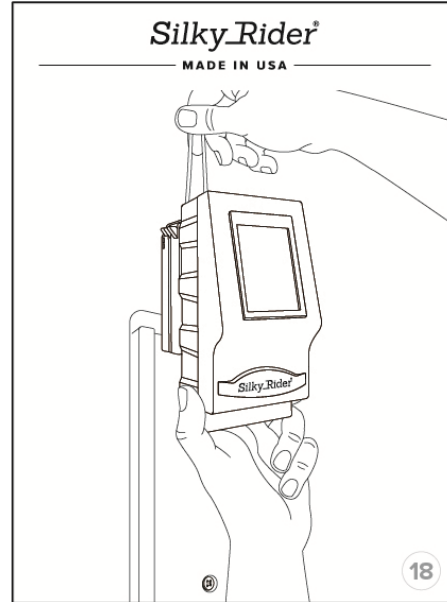
Fix the loop of the curtain cord around the "Big Pulley" which is in the "Main Device" and pass the loop through the "Head System"



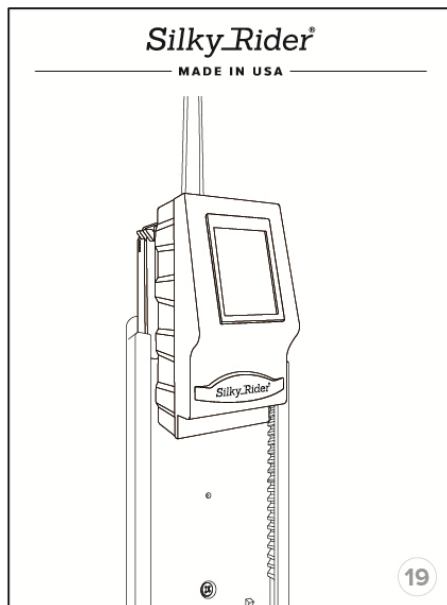
Hold the cord in its position, then turn the device around.



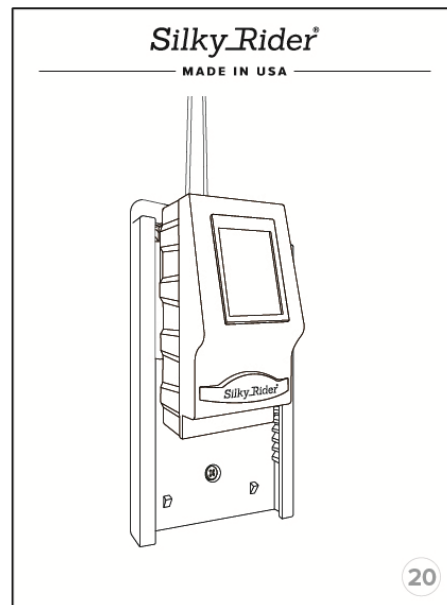
Hold the cord in its position, then join the "Main Device" to the "Rail".



Hold the cord in its position, then join the "Main Device" to the "Rail".



Pull down the "Main Device" toward the "Rail" and put on it properly.



Push the "Main Device" downward until to be locked automatically on the "Rail".